

# INSTRUCTIONS

3.1.3

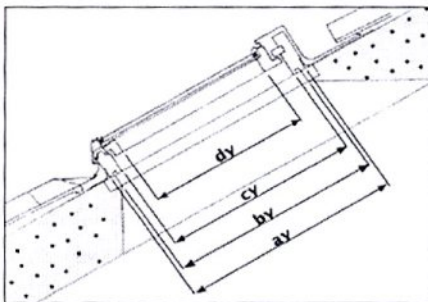
## HOLE PREPARATION:

The dimension of the hole (rough) must be as minimum the same to the external dimensions of the window and as maximum 2 cm. more

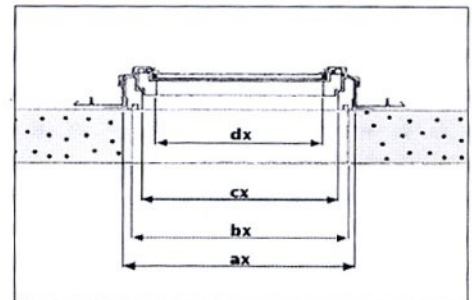
**the window has to be installed build in to the hole**

**the cut of 6mm in the low part of the wooden frame it will be useful to set at zero the thicknesses of the waterproofing.**

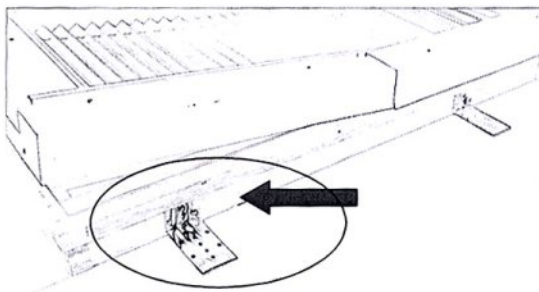
**(Warning, in case of bitumen sheath do not closer the flame to the window)**



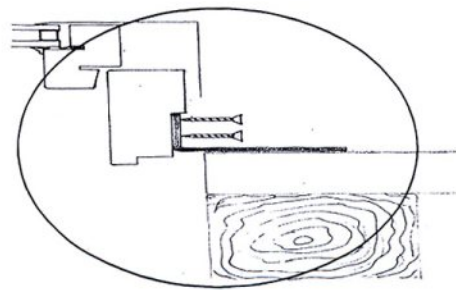
outside of frame :      $ay \times ax$   
rough hole:              $by \times bx$   
inside of frame:        $cy \times cx$   
net span:                $dy \times dx$



- 1 To centre the window in the hole and fix it to the slab with the relative side straps (pict. 1) to fix the side straps to the window using the screws 3,5x25 supplied with the window the position of the strap is in the cut for the waterproofing as drawing and its corrected position is at 20cm from the low corner and at 15cm from the high corner



picture 1



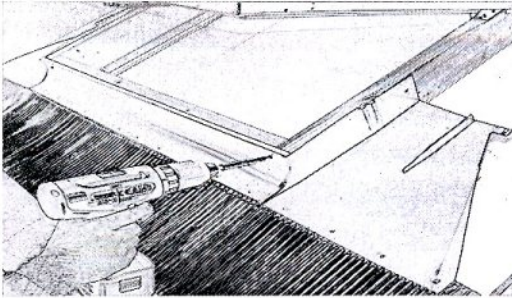
drawing of the particular of pict. 1

**AFTER THE WATERPROOFING, DURING THE PHASE OF COVERING**  
**APPLY THE ATTACHMENTS THAT ARE IN THE SEPARATE PACKAGING ( are supplied with all the screws and relative instructions)**

# INSTRUCTIONS

3.1.4

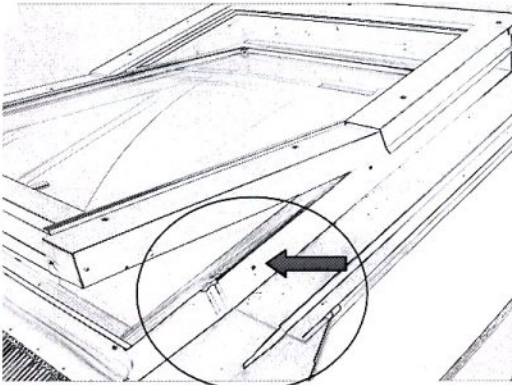
- 1** First apply the bottom in aluminium pleated (fig. 1)



In this stage fix only the frontal screws; the lateral holes will coincide with the hole of the lateral profile and they will have to be fixed with it.

picture 1

- 2** Meanwhile applying the lateral profiles pay attention to the RIGHT one and LEFT one, if they will be

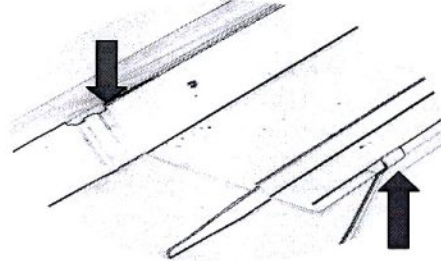


picture 2

positioned correctly you will have in the low part a hole for the screw that will fix also the bottom.

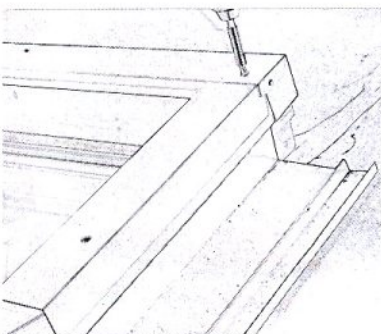
In the high part a buttonhole that you will fix with the head.

The lateral will have to coincide with the nervation of the bottom and ones fixed close on the edge the tang of the bottom. (see the enlargement)

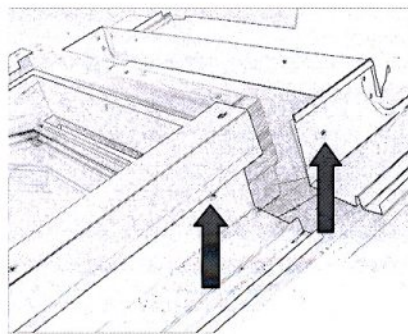


enlargement part pict. 2

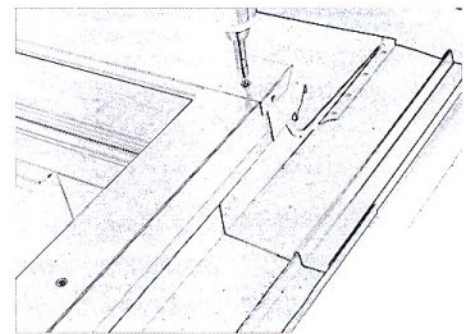
- 4** Before to go on with the application of the higher part, take off the carter of the head of the window (pict. 3) to screw the attachment making it coincide the lateral holes with the buttonholes of the lateral profiles (pict. 4), then reposition the carter that has been taken off before (pict. 5)



picture 3



picture 4



picture 5

- 5** The two bands in sponge that you find in the box will have to be thread in the nervation outside of the lateral attachment with the top towards to the upper part and they are useful for a further guarantee of closure.