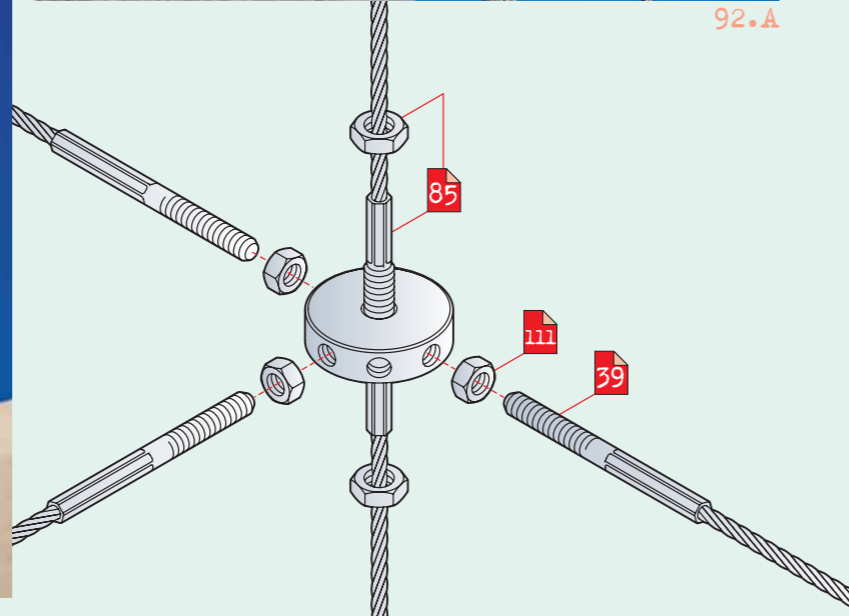


92.A



92.B



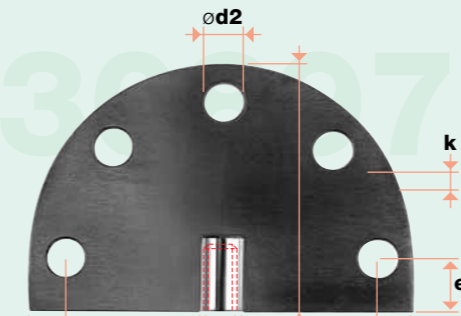
92.C

RADIAL CLEVIS HOLDER WITH INTERNAL THREAD

Patent pending

1.4404
AISI 316

30897- 0003	a	b1	b2	b3	∅ d1	∅ d2	e	k
	M8	100	80	63	12	10	14	5

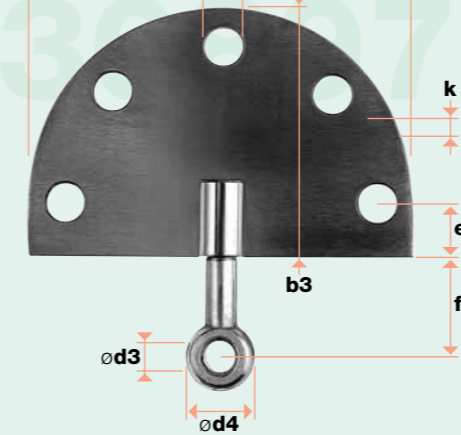


RADIAL CLEVIS HOLDER WITH EYE BOLT

Patent pending

1.4404
AISI 316

30897- 0004	b1	b2	b3	∅ d2	∅ d3	∅ d4	e	f	k
	100	80	63	10	8,1	18	14	23	5

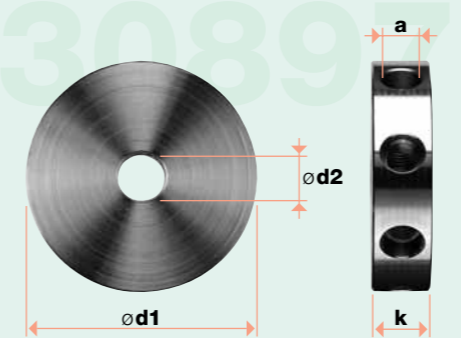


RADIAL BORE DISK WITH INTERNAL THREADS

Patent pending

1.4305
AISI 303

30897- 0005	a	b	c	∅ d1	∅ d2	k
	8 x M6	3,5	12,5	40	8,2	10

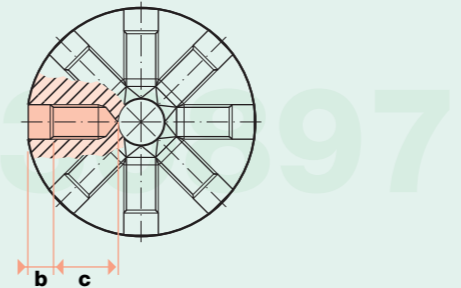


SLOTTED ROPE DEFLECTOR

Patent pending

1.4404
AISI 316

30897- 0002	∅ mm	b1 max.	b1 min.	b2	∅ d1	∅ d2	∅ d3	k
	5,0	106	84	38	10	8,1	18	9



Correct assembly is the responsibility of the user. **Strength ratings** and permissible loads based on the application must be calculated by a statics specialist.

