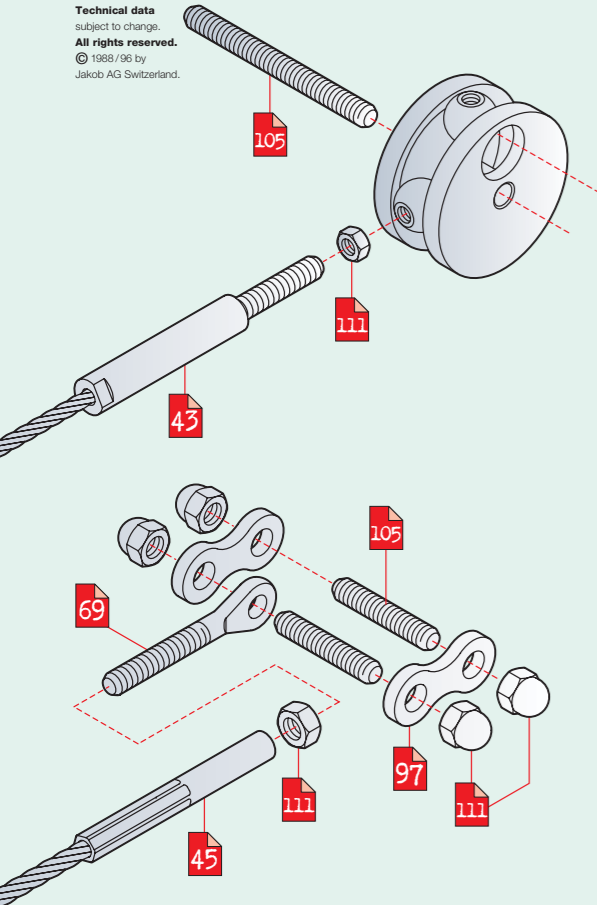


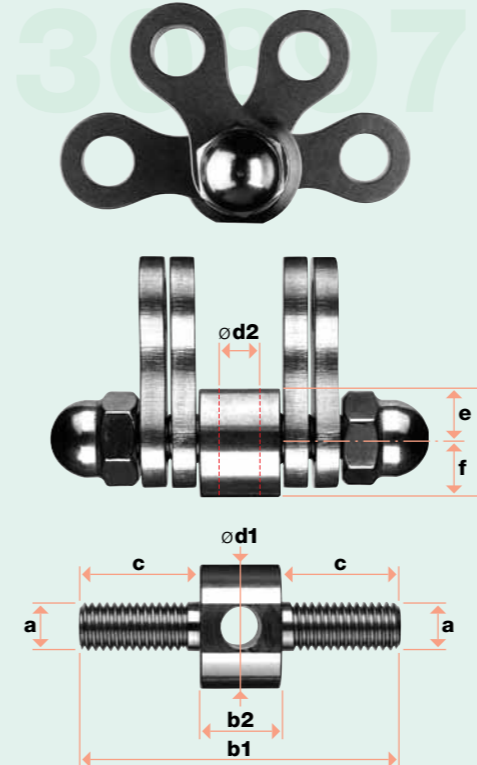
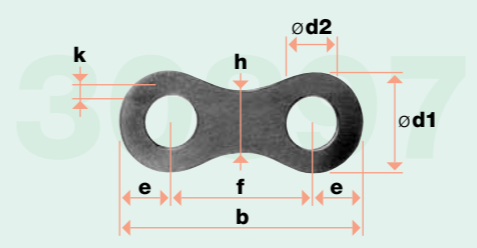
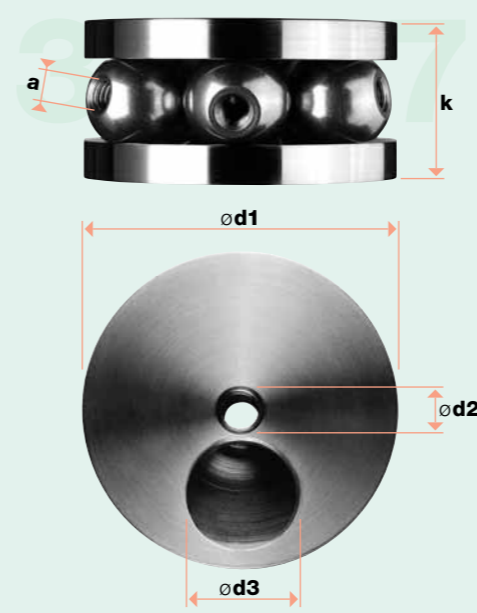
Technical data subject to change. All rights reserved. © 1988/96 by Jakob AG Switzerland.



96.B



96.A+C



**Correct assembly** is the responsibility of the user. **Strength ratings** and permissible loads based on this application must be calculated by a statics specialist.

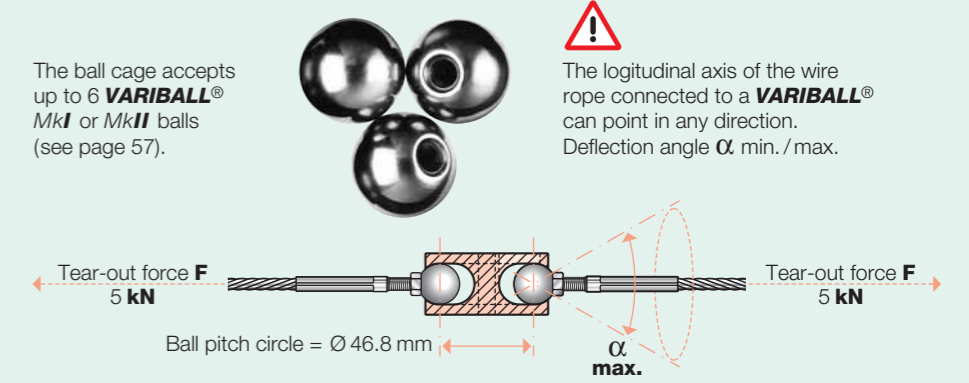
Technical data subject to change. All rights reserved. © 1988/03 by Jakob AG Switzerland. Rev.3

**BALL CAGE**  
for JAKOB-VARIBALL® MkI / Patent / DBGM pending

1.4305  
AISI 316

no.	a	$\odot d1$	$\odot d2$	$\odot d3$	k	$\alpha$ max.
30897-						
0006	M6	60	8,2	20,1	30	60°

with 3 VARIBALL® MkI



**FAN LINK**  
Patent pending

1.4404  
AISI 316

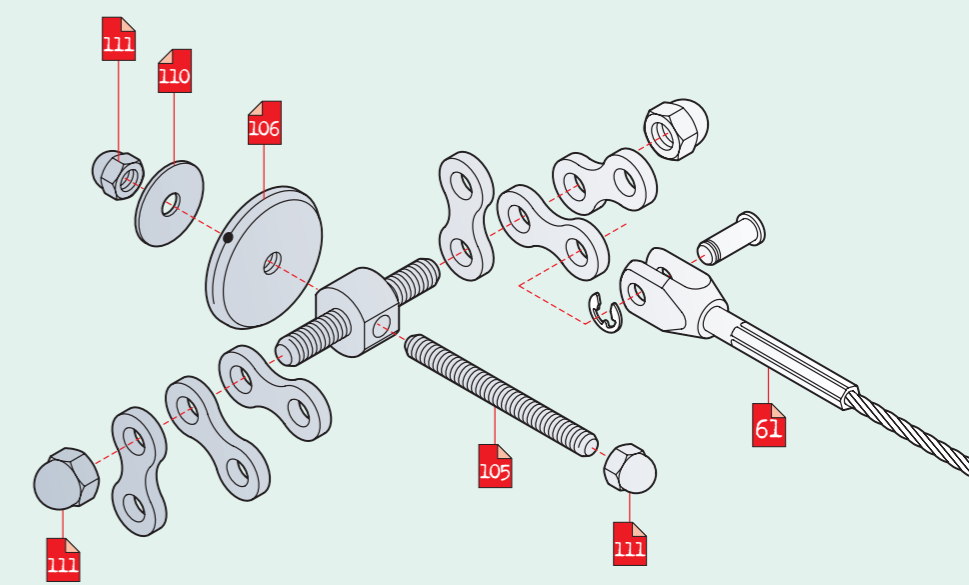
no.	$\odot d1$	$\odot d2$	b	e	f	h	k
30897-							
0007	20	10	47	10	27	12	5

**FAN LINK SET**  
Patent pending

1.4305  
AISI 316

no.	a	b1	b2	c	$\odot d1$	$\odot d2$	e	f	k
30897-									
0008	M10	64	16	24	25	8,2	11,5	10	21,5

Includes mandrel, 4 fan links and 2 dome nuts



13 Measure assembly lengths like this:

