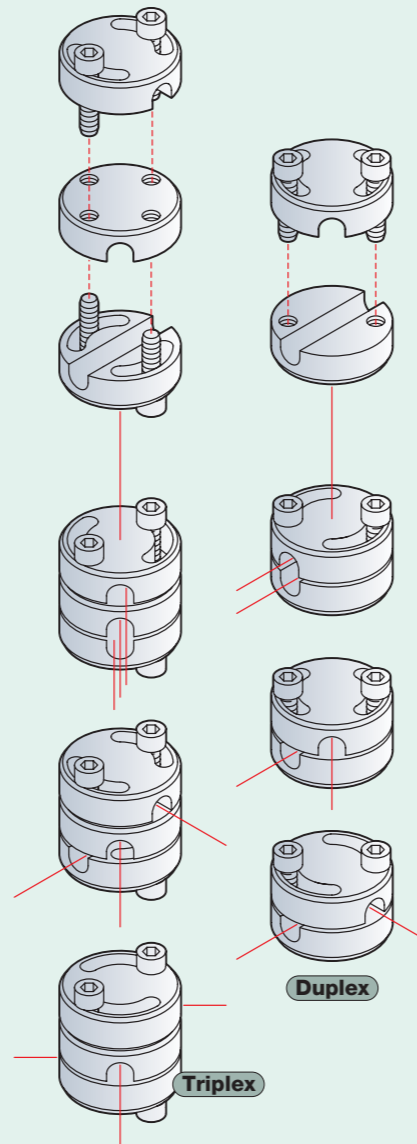


102.A



102.B

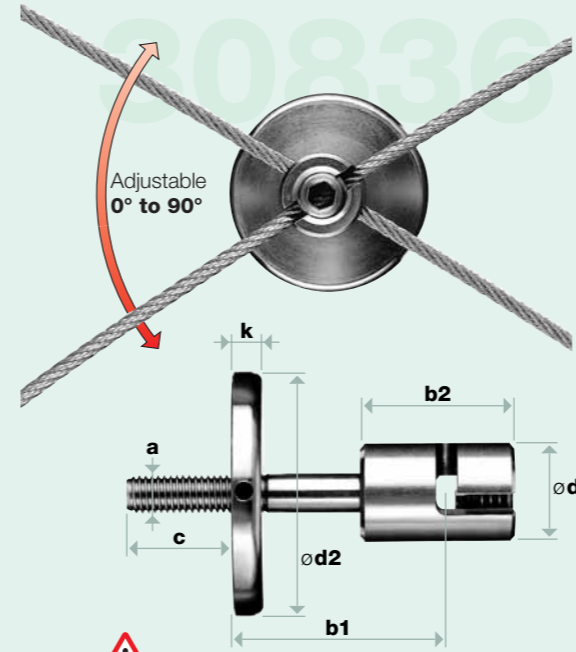


Technical data subject to change.
All rights reserved. © 1988 / 96 by Jakob AG Switzerland.

1.4404
AISI 316

ADJUSTABLE CROSS CLAMP WITH SUPPORT DISK

Patent / DBGM pending



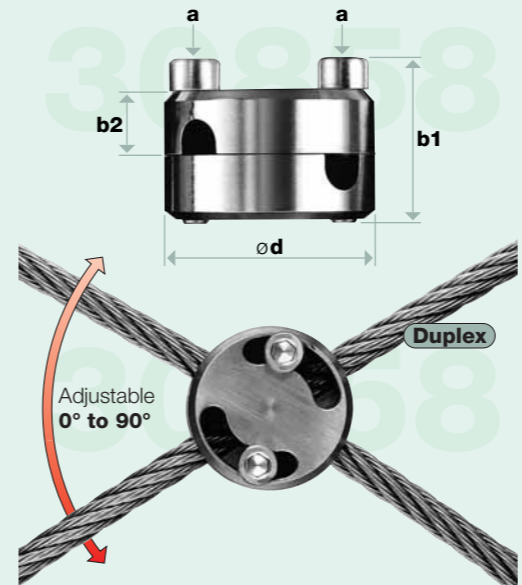
This product may be used only for wire rope guidance purposes (not as an end connector). Dimension **b1** is the distance between the wall and the inner wire rope.

Not suitable for stranded wire rope
No.10810-

no.	ø mm	a	mm			mm		
			b1	b2	c	ø d1	ø d2	k
30836-								
0041-20	2,0	M8	41	27	21	20	50	6
0050-20	2,0	M8	50	27	21	20	50	6
0060-20	2,0	M8	60	27	21	20	50	6
0080-20	2,0	M8	80	27	21	20	50	6
0041-30	3,0	M8	41	29	21	20	50	6
0050-30	3,0	M8	50	29	21	20	50	6
0060-30	3,0	M8	60	29	21	20	50	6
0080-30	3,0	M8	80	29	21	20	50	6
0041-40	4,0	M8	41	31	21	20	50	6
0050-40	4,0	M8	50	31	21	20	50	6
0060-40	4,0	M8	60	31	21	20	50	6
0080-40	4,0	M8	80	31	21	20	50	6
0041-50	5,0	M8	41	33	21	20	50	6
0050-50	5,0	M8	50	33	21	20	50	6
0060-50	5,0	M8	60	33	21	20	50	6
0080-50	5,0	M8	80	33	21	20	50	6
0041-60	6,0	M8	41	35	21	20	50	6
0050-60	6,0	M8	50	35	21	20	50	6
0060-60	6,0	M8	60	35	21	20	50	6
0080-60	6,0	M8	80	35	21	20	50	6

ADJUSTABLE DUPLEX CROSS CLAMP

Patent / DBGM pending



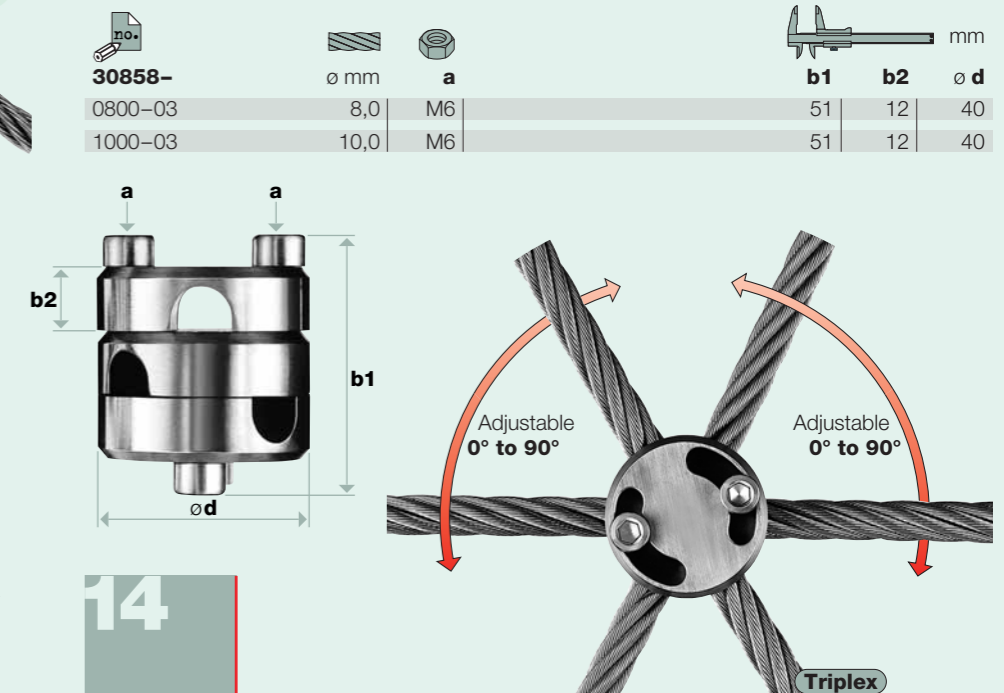
The user is responsible for correct assembly and for verifying the correct rope ø.

Technical data subject to change.
All rights reserved. © 1988 / 02 by Jakob AG Switzerland. Rev. 2

no.	ø mm	a	mm		
			b1	b2	ø d
30858-					
0800-01	8,0	M6	31	12	40
1000-01	10,0	M6	31	12	40

ADJUSTABLE TRIPLEX CROSS CLAMP

Patent / DBGM pending



no.	ø mm	a	mm		
			b1	b2	ø d
30858-					
0800-03	8,0	M6	51	12	40
1000-03	10,0	M6	51	12	40