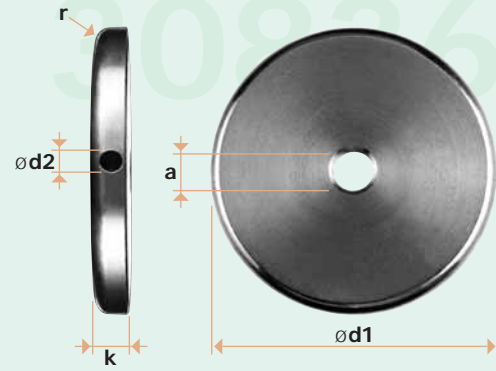


COVER DISK WITH INTERNAL THREAD

1.4404
AISI 316

30836-	Permissible load	a	Ø d1	Ø d2	r	k
0500-05	M5	35	1,5	2,5	4	
0600-05	M6	35	1,5	2,5	4	
0800-05	M8	50	3,5	3,0	6	
1000-05	M10	50	3,5	3,0	6	

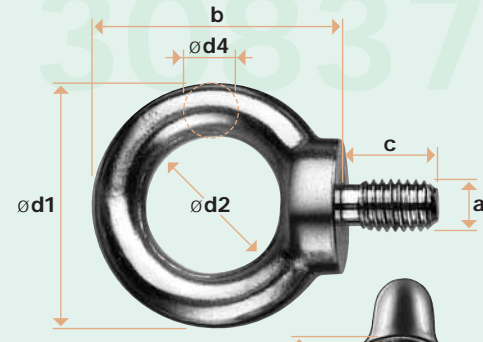


EYE BOLT

Permissible axial load in **kN** (kN x 102 = kp)

1.4404
AISI 316
DIN 580

30837-	Permissible load	a	b	c	Ø d1	Ø d2	Ø d3	Ø d4
0600	0,7	M6	27	11,0	27	15	15	6
0800	1,4	M8	36	13,0	36	20	20	8
1000	2,3	M10	45	17,0	45	25	25	10
1200	3,4	M12	53	20,5	54	30	30	12
1600	7,0	M16	62	27,0	63	35	35	14
2000	12,0	M20	71	30,0	72	40	40	16
2400	18,0	M24	90	36,0	90	50	50	20

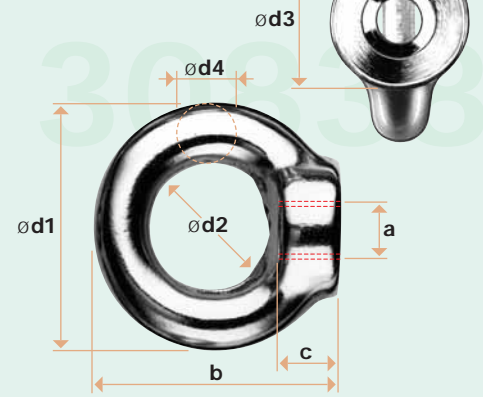


EYE NUT

Permissible axial load in **kN** (kN x 102 = kp)

1.4404
AISI 316
DIN 582

30838-	Permissible load	a	b	c	Ø d1	Ø d2	Ø d3	Ø d4
0600	0,7	M6	27	6	27	15	15	6
0800	1,4	M8	36	8	36	20	20	8
1000	2,3	M10	45	10	45	25	25	10
1200	3,4	M12	53	11	54	30	30	12
1600	7,0	M16	62	13	63	35	35	14
2000	12,0	M20	71	15	72	40	40	16
2400	18,0	M24	90	20	90	50	50	20



CARABINER WITH EYELET

Permissible axial load in **kN** (kN x 102 = kp), not guaranteed

1.4401
AISI 316

30815-	Permissible load	Nominal size	b	Ø d1	Ø d2	g
0055-01	1,0	5 x 50	50	5	8	7
0066-01	1,5	6 x 60	60	6	8	9
0088-01	2,7	8 x 80	80	8	10	11
1010-01	4,0	10 x 100	100	10	12	14
1211-01	5,5	11 x 120	120	11	13	18

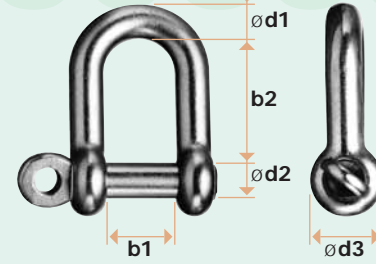


STANDARD SHACKLE

Permissible axial load in **kN** (kN x 102 = kp)

1.4401
AISI 316

30835-	Permissible load	b1	b2	Ø d1	Ø d2	Ø d3
0032	3,2	10	17	5	5	10
0039	3,9	12	21	6	6	12
0050	5,0	16	28	8	8	16
0090	9,0	19	35	10	10	19
0120	12,0	23	41	11	12	24
0140	14,0	26	45	13	13	26
0200	20,0	31	55	15	16	32
0340	34,0	38	66	18	19	38



BOWED SHACKLE

Permissible axial load in **kN** (kN x 102 = kp)

1.4401
AISI 316

30835-	Permissible load	b1	b2	b3	Ø d1	Ø d2	Ø d3
0016-01	1,6	8	18	14	4	4	8
0024-01	2,4	10	23	18	5	5	10
0036-01	3,6	12	27	21	6	6	12
0056-01	5,6	15	37	28	8	8	16
0086-01	8,6	19	46	35	10	10	20
0130-01	13,0	24	55	42	12	12	24



WIRE ROPE CLIP

1.4401
AISI 316

30800-	Ø mm	Clips required per loop	30800-	Ø mm	Clips required per loop
0200	2,0	3	0800	8,0	4
0300	3,0	3	1000	10,0	4
0400	4,0	3	1200	12,0	4
0500	5,0	4	1600	16,0	4
0600	6,0	4			

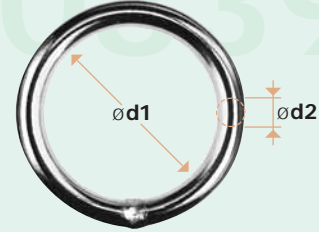


WELDED RING

For light duty

1.4404
AISI 316

30839-	Ø d1	Ø d2	30839-	Ø d1	Ø d2
0400	25	4	0800	50	8
0500	30	5	1000	60	10
0600	40	6			



HEAVY-DUTY WELDED OVAL RING

Permissible axial load in **kN** (kN x 102 = kp)

1.4404
AISI 316

30825-	Permissible load	b1	b2	Ø d
0050	5	50	20	5
0200	20	80	30	10
0500	50	110	53	15

